

# Fernwood Table Lamp

DJT1061 | 1.0

## VISUAL COMFORT & Co.

STUDIO COLLECTION

### GENERAL PRODUCT INFORMATION:

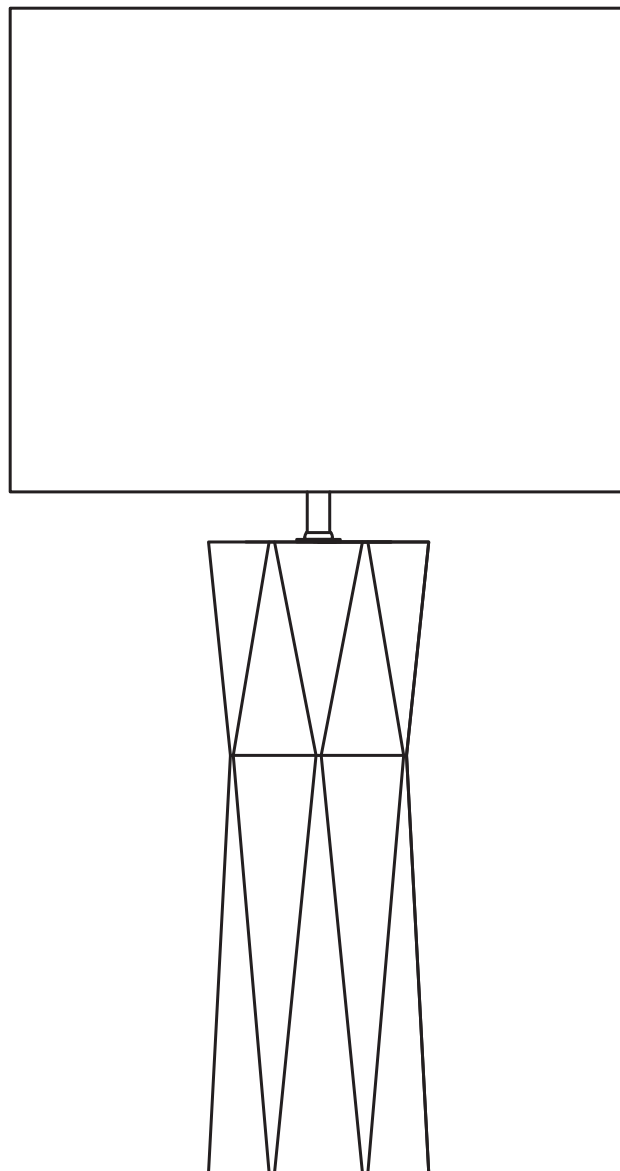
This product is safety listed for dry locations only.

This instruction shows a typical installation.

### IMPORTANT SAFETY INSTRUCTIONS

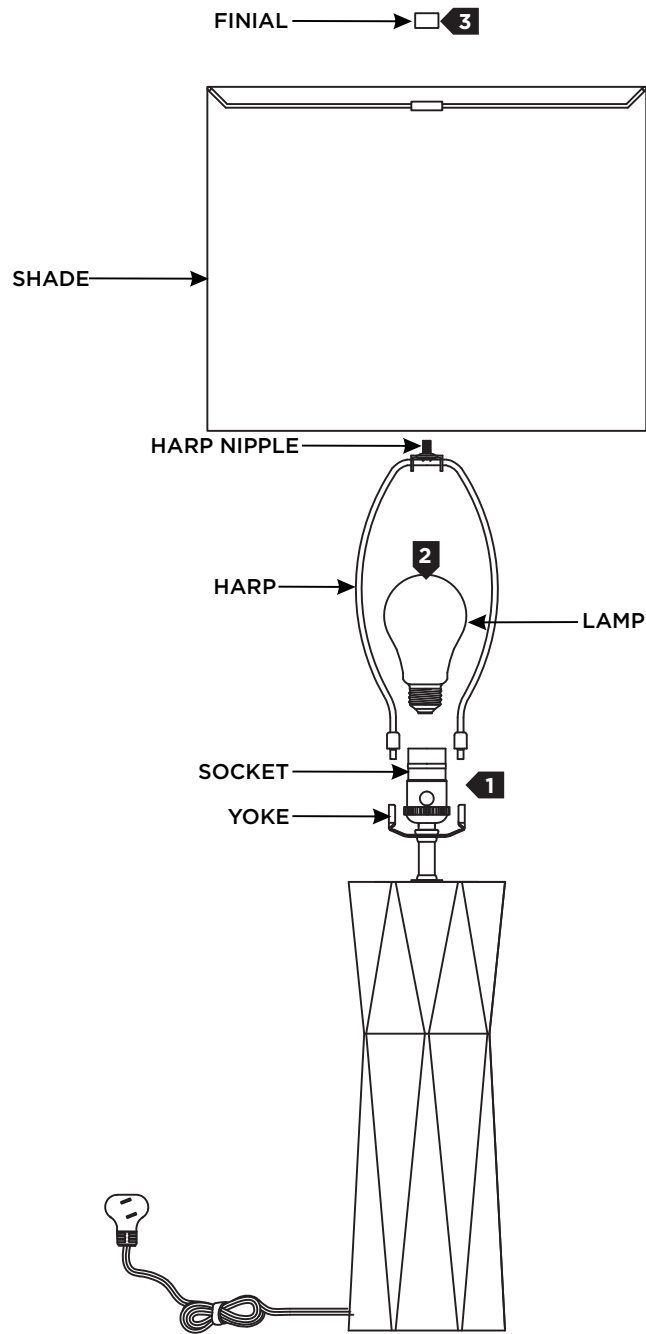
This portable lamp has a polarized plug (one blade is wider than the other) as a safety feature to reduce the risk of electric shock. This plug will fit in a polarized outlet only one way. If the plug does not fit fully in the outlet, reverse the plug. If it still does not fit contact a qualified electrician. Never use with an extension cord unless plug can be fully inserted. Do not attempt to defeat this safety feature.

**SAVE THESE INSTRUCTIONS!**



# Install the Fixture

1A



- 1 Install the harp by inserting it completely into the yoke.
- 2 Screw the lamp into the socket. Refer to the label on the lamp socket for Max Wattage Information.
- 3 Place the shade onto the harp nipple and secure it in place by screwing the finial onto the harp nipple.