

*****READ & SAVE THESE INSTRUCTIONS *****
MODEL 52223, 52224
INSTALLATION & OPERATION INSTRUCTIONS

1) TOOLS AND MATERIALS REQUIRED

- ❖ BLADE SCREW DRIVER
- ❖ STEP LADDER
- ❖ WIRE CUTTERS
- ❖ WIRING SUPPLIES AS REQUIRED BY ELECTRICAL CODE

Attention:

Before assembling your lighting fixture, please read the following instructions. If you feel you do not have sufficient electrical experience, refer to a do-it-yourself wiring handbook or have your fixture installed by a qualified licensed electrician.

(2) GENERAL

1. To ensure the success of the installation, be sure to read these instructions and review the diagrams thoroughly before beginning.
2. All electrical connections must be in accordance with local codes, ordinances, or the National Electrical Code. If you are unfamiliar with methods of installing electrical wiring, secure the services of a qualified licensed electrician.
3. These fixtures are intended for mounting to a standard 4" x 2 1/4" deep metal octagon outlet box. The box must be directly supported by the building structure and U.L. Recognized.
4. Before commencing with the installation, **disconnect the power by turning off the circuit breaker** or by removing the fuse at the fuse box. Turning the power off using the light switch is not sufficient to prevent electrical shock.

NOTE:

The important safeguards and instructions appearing in this manual are not meant to cover all possible conditions and situations that may occur. It must be understood that common sense, caution and care, are factors that cannot be built into any product. These factors must be supplied by the person(s) caring for and operating the fixture.

(3) UNPACKING THE FIXTURE

On checking the contents of the box you will find;

1. Fixture assembly
2. Mounting Hardware Pack
3. (6"-16"-22") extension rods
4. 3 or 4 x GU10/50W Bulb
5. 3 or 4 x Decorative Bulb Ring

This fixture requires 3 or 4 GU10/50W Lamp(Included)
Warning-Risk of fire and electric shock.
Important safety instructions.
Do not install this fixture in hazardous locations.

Do not install this fixture assembly closer than 6 inches from any curtain or similar combustible material.

(4) PREPARE THE FIXTURE

Refer to figure 1 for illustration of fixture parts and assembly.

1. If you are replacing an existing fixture, disconnect and remove the old fixture. Expose the supply wiring from the outlet box.
2. Lay the un-assembled fixture on a soft surface and carefully remove all the packing material.
3. The fixture may be mounted in a variety of ways, with or without extension rods. If fixture is to be mounted on a wall, please note that the maximum length rod that may be used is a 6" rod (or no rod may be used). Fixture may be mounted from ceiling with no rods, 6"; 16" or 22" rod combinations. Determine the desired length of your fixture. Please note, when feeding the wires through the rods we recommend feeding the wire through one rod at a time, then adding an additional rod to increase overall hanging length (as opposed to joining all of the rods together first). Feed the wire through one side of the rod (d). Screw bottom rods to fixture and top rods to canopy of fixture, securing with supplied washer and nut.
4. Connect the supply wires from the junction box to the fixture wires (1). The Black supply wire attaches to the Black fixture wire and the White supply wire attaches to the White fixture wire. Attach the ground (bare or green/yellow) from the fixture to the outlet box ground terminal or (the box ground wire). Secure these connections with supplied wire nuts and tape these connections with electrical tape. Tuck the wires carefully into the junction box.
5. Mount the fixture back plate to the junction box by inserting the screws (2) through the slits found on the circumference of the back plate.
6. Fit the fixture canopy over the back plate aligning the screw holes on the side of the canopy with those on the L-shaped wings of the back plate. Insert the screws provided into the holes found on each side of the front plate (a). Move plate so that screw moves down L slit in back plate (b). Now rotate top plate such that screw moves into tale of L slit in the back plate, mounted to the J-Box (c). Tighten the screws to secure.
7. Clip supplied decorative bulb rings onto the bulbs. Now insert the GU10/50W bulbs into the sockets. **DO NOT EXCEED THE RECOMMENDED WATTAGE.**
8. Restore electricity and enjoy your new lighting fixture.

CAUTION:

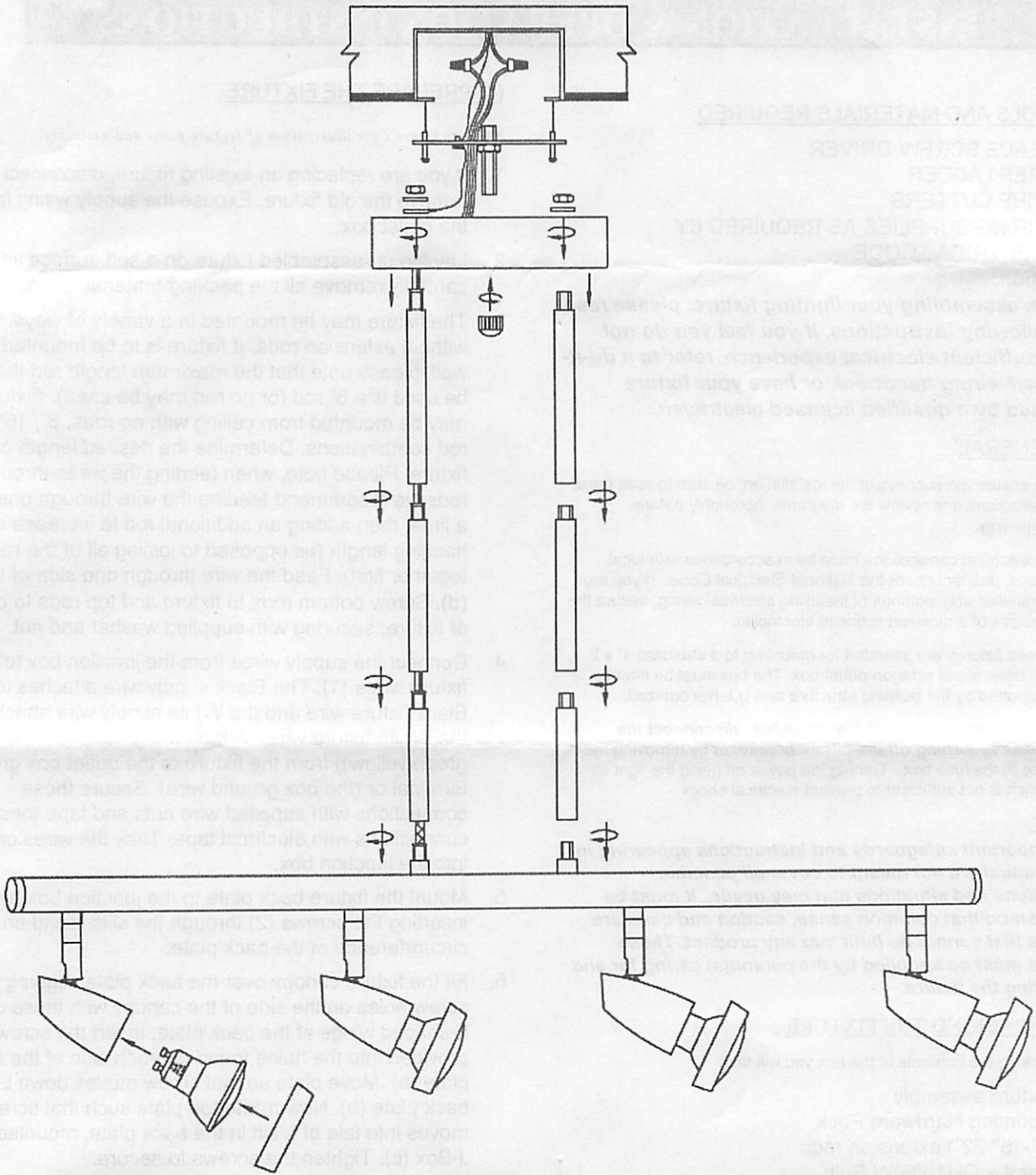
- **Ensure that the Fitting is Cool and Switched off, Before Changing the Bulb.**
- **Do Not use Bulbs Exceeding Maximum Wattage, as Per Caution Label.**
- **Do Not Touch the Bulb while fixture is in operation.**

a c c e s s

L I G H T I N G

SEE FIGURE 1 ON REVERSE SIDE OF THIS PAPER

52224



52223

