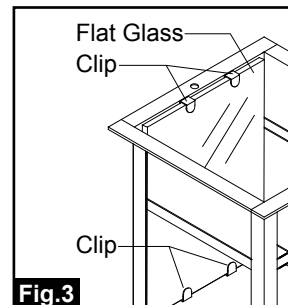
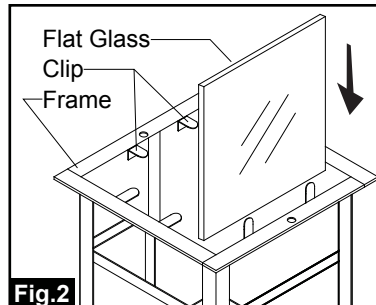
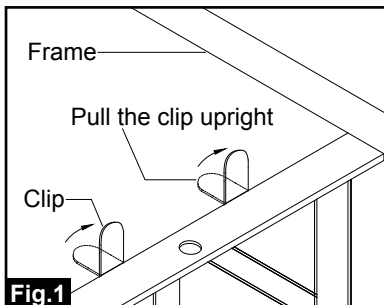
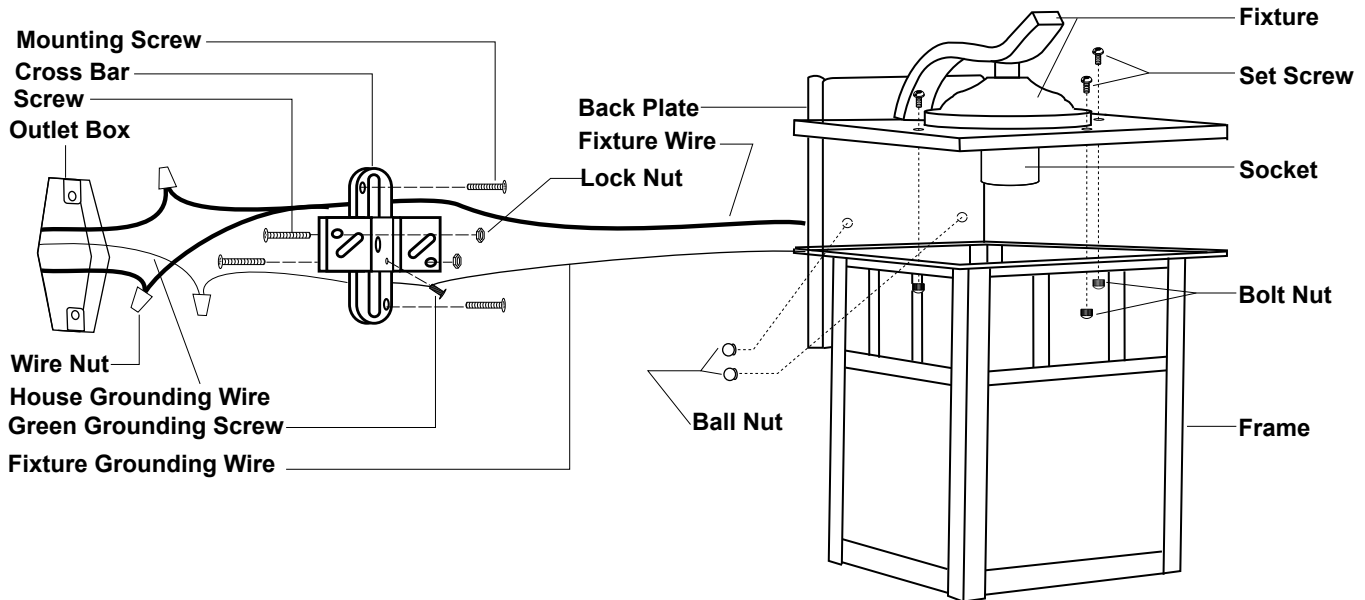


ASSEMBLY AND INSTALLATION INSTRUCTIONS

OW37273 / OW37293 / OW14673 / OW14693

WARNING: BE SURE TO SHUT OFF POWER AT THE MAIN FUSE OR CIRCUIT BREAKER BOX BEFORE INSTALLING OR SERVICING THIS FIXTURE.

**NOTE: 1. Before installing, consult local electrical codes for wiring and grounding requirements.
2. READ AND SAVE THIS INSTRUCTION.**



1. Unscrew the set screws and bolt nuts to separate the frame from the fixture.
2. Thread two screws through the cross bar, then secure them with two lock nuts. Adjust the length of the screw if necessary.
3. Attach the cross bar to the outlet box by using two mounting screws.
4. Pull out the outlet wires and the house grounding wire from the outlet box. Make wire connections using the wire nuts:
 - The black wires from the light to the black wire from the power source.
 - The white wires from the light to the white wire from the power source.
 - Attach the fixture grounding wire to the cross bar with the green grounding screw. Then connect it to the house grounding wire with a wire nut.
 Carefully put the wires back into the outlet box.
5. Attach the fixture to the cross bar by inserting the screws, then secure it with two ball nuts.
6. Gently pull the clips upright to place the flat glasses into the frame, and then press them back to secure the flat glasses. (See Fig.1 & Fig.2)

Note: The flat glass should be fastened into position as shown in Fig.3.
7. Install a bulb (not included). See relamping label at socket area or packaging for maximum allowed wattage.
8. Restore the frame back to the fixture.
9. Turn on the power at the main fuse or circuit breaker box.