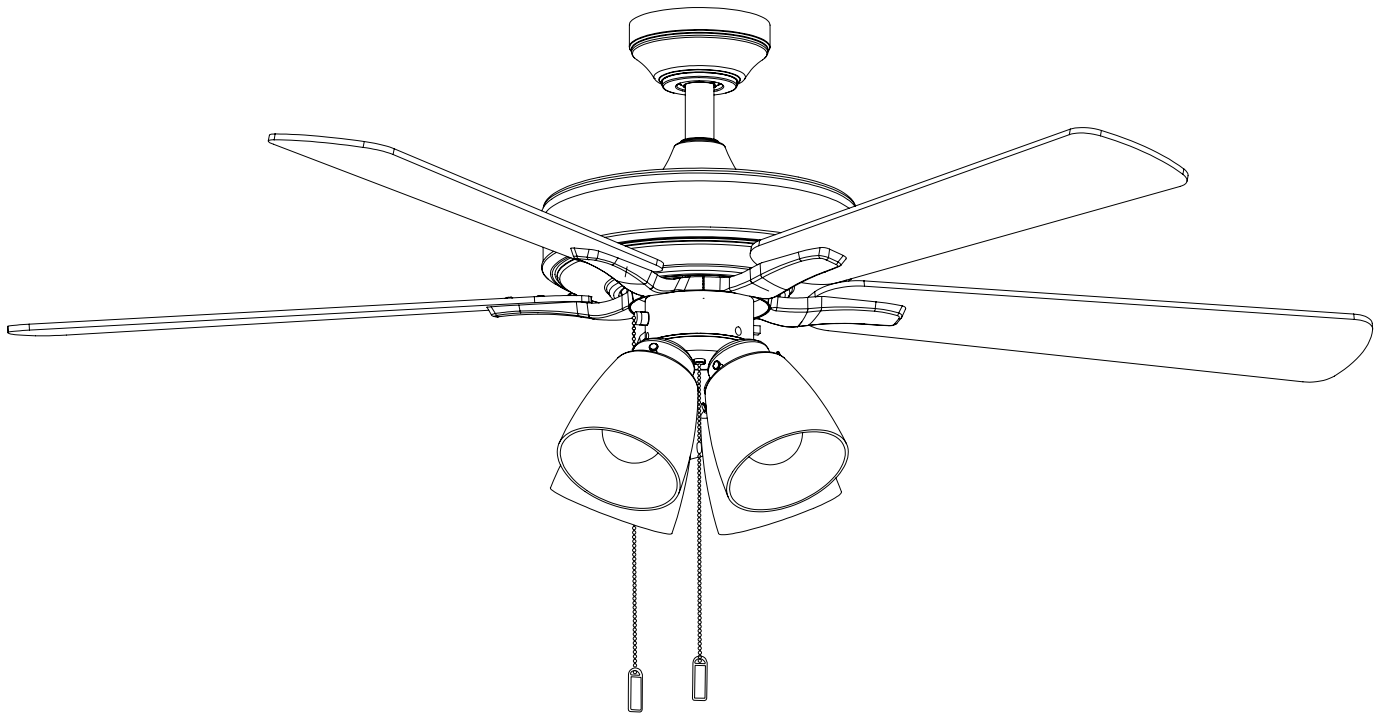


# Wind River<sup>®</sup>

## 52" Pecos<sup>™</sup>

### Read and save these instructions



**Questions, problems, missing parts?** Before returning to your retailer, call our customer service department at **855-817-WIND (9463)**  
 8 a.m. - 5 p.m., EST, Monday-Friday  
 E-mail: [service@windriverus.com](mailto:service@windriverus.com)



WR2024 SERIES

Speed	Volts	Amps	Watts	RPM	CFM	N.W.	G.W.	C.F.
Low	120	XXX	XXX	XXX	XXX	XXXkgs (XXX lbs)	XXXkgs (XXX lbs)	XXXft.
Medium		XXX	XXX	XXX	XXX			
High		XXX	XXX	XXX	XXX			

**NOTE:** These are approximate measures. They do not include amps and wattage used by the light kit.

11440104510800

## Safety tips

1. To reduce the risk of electric shock, ensure electricity has been turned off at the circuit breaker or fuse box before beginning.
2. All wiring must be in accordance with the National Electrical Code “ANSI/NFPA 70-1999” and local electrical codes. Electrical installation should be performed by a qualified licensed electrician.
3. The outlet box and support structure must be securely mounted and capable of reliably supporting a minimum of 35 lbs. Use only UL Listed outlet boxes marked “FOR FAN SUPPORT.”
4. The fan must be mounted with a minimum of 7 ft. clearance from the trailing edge of the blades to the floor.
5. After making electrical connections, spliced conductors should be turned upward and pushed carefully up into the outlet box. The wires should be spread apart with the grounded conductor and the equipment-grounding conductor on one side of the outlet box and ungrounded conductor on the other side of the outlet box.
6. All setscrews must be checked and retightened where necessary before installation.



**WARNING:** To reduce the risk of electrical shock or fire, do not use this fan with any solid-state fan speed control device. Please contact with dealer or Wind River at **855-817-WIND (9463)** if using solid-state remote.

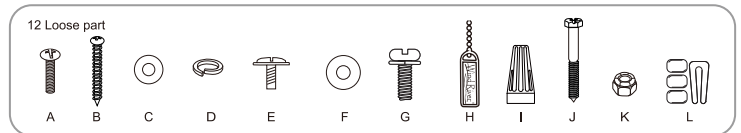
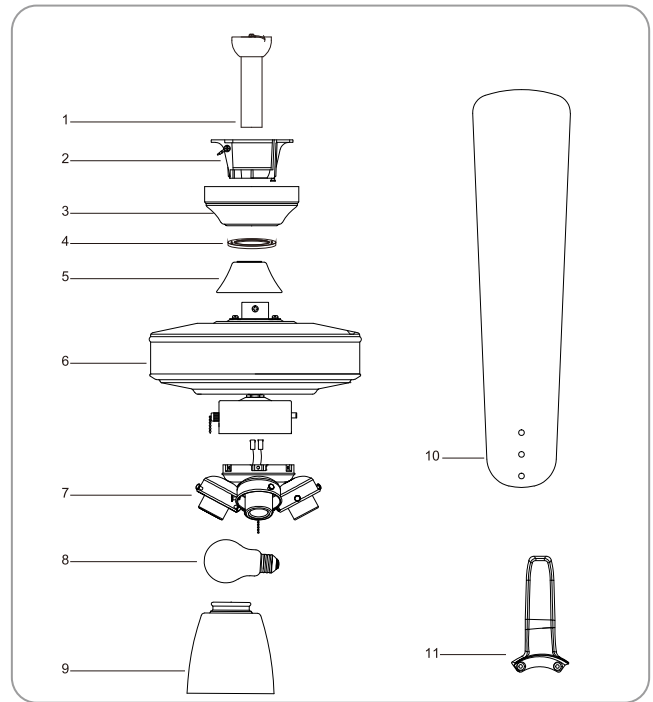


**WARNING:** To reduce the risk of fire, electric shock, or personal injury, mount the fan to the outlet box marked acceptable for fan support with the screws provided with the outlet box.

## Package contents

Unpack your fan and check the contents. See page 2. You should have the following items:

1. Downrod assembly (1)
2. Mounting bracket (1)
3. Canopy (1)
4. Canopy cover (1)
5. Coupling cover (1)
6. Fan motor assembly (1)
7. Light kit assembly (1)
8. 9W E27 LED (4)
9. Glass shade (4)
10. Blade (5)
11. Blade holder (5)
12. Loose parts bag containing
  - A: Machine screw (2)
  - B: Wood screw (2)
  - C: Metal washer (2)
  - D: Lock washer (2)
  - E: Blade screw (15 + 1 spare)
  - F: Fiber washer (15 + 1 spare)
  - G: Blade bracket screw (10 + 1 spare)
  - H: Pull chain fob (2)
  - I: Wire nuts (3)
  - J: Safety bolt (1)
  - K: Nut (1)
  - L: Balancing kit (1)



## Begin installation

Tools Required: Phillips screw driver; slotted screw driver; pliers; wire cutters; electrical tape.

### MOUNTING OPTIONS

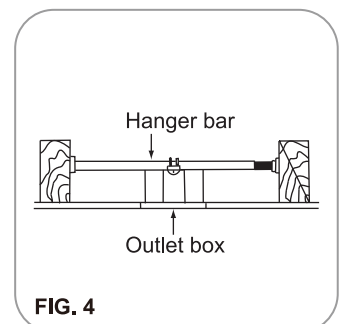
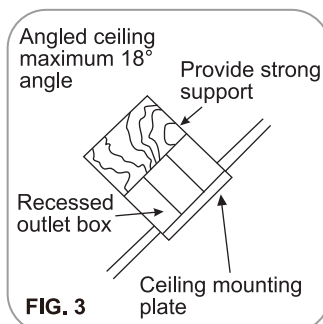
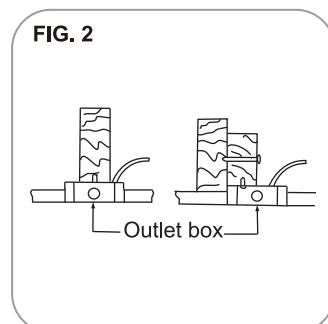
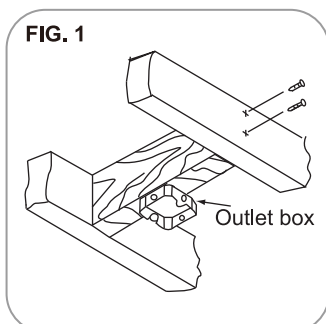
If there isn't an existing outlet box, then read the following instructions. Shut the power off at the circuit breaker or fuse box.

Secure the outlet box directly to the building structure. Use appropriate fasteners and building materials. Only use a U.L. Listed metal outlet box marked "Acceptable for ceiling fan support" to install the ceiling fan. Do not use a plastic outlet box or other device.

Figures 1, 2 and 3 are examples of different ways to mount the outlet box.

Note: Please contact with dealer or Wind River at **855-817-WIND (9463)** if you need a longer downrod to maintain proper blade clearance when installing on a steep, sloped ceiling.

To hang your fan where there is an existing fixture but no ceiling joist, you may need to install a hanger bar as shown in Fig. 4.



## Hanging the fan

**WARNING:** Please use all of the parts hardware and components provided by Wind River. The use of other parts, hardware or components not supplied by Wind River with the fan will void the Wind River Warranty.

**REMEMBER** to turn off the power. Follow the steps below to hang your fan properly:

Step 1. Secure the mounting bracket to the ceiling outlet box using screws and washers included with mounting hardware. (Fig.5)

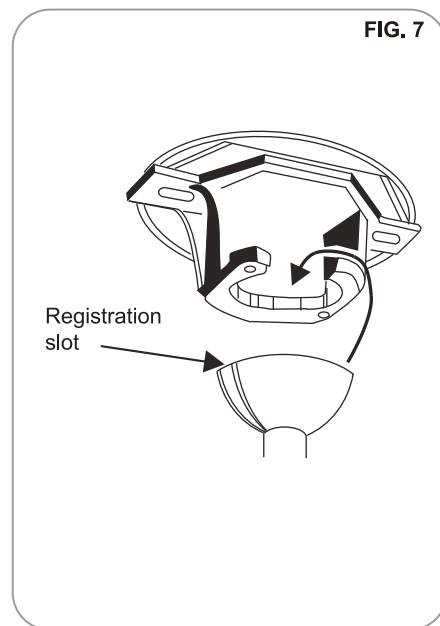
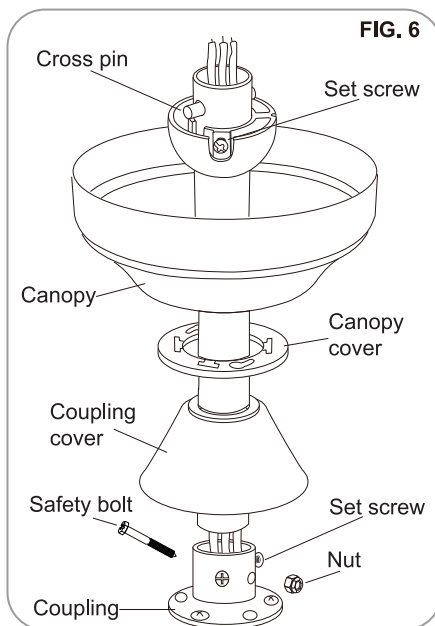
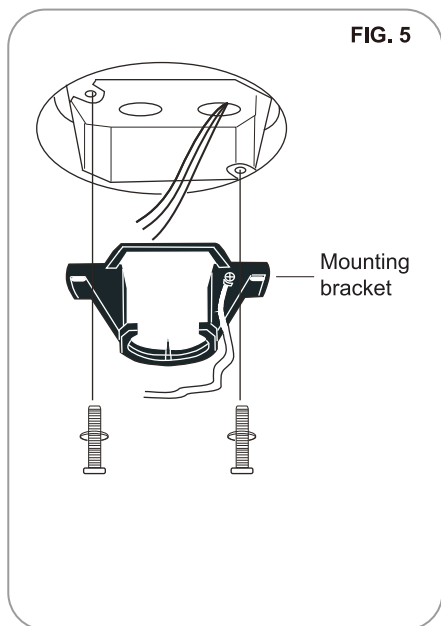
Step 2. Loosen the two set screws from the top coupling of the motor assembly. (Fig.6)

Step 3. Remove hanger ball from downrod assembly by loosening set screw, removing the cross pin, and sliding ball off rod. (Fig.6)

Step 4. Carefully feed fan wires up through the downrod (Fig.6). Screw the downrod into the coupling. Insert the safety bolt through the coupling and attach the nut. Tighten firmly. Tighten set screws.

Step 5. Slip coupling cover, canopy cover, and canopy onto downrod (Fig.6). Carefully reinstall hanger ball onto rod being sure that cross pin is in the correct position, set screws are tightened and wires are not twisted.

Step 6. Now lift motor assembly into position and place hanger ball into hanger bracket. Rotate until the check groove has dropped into the registration slot and seats firmly. (Fig.7) Rod should not rotate if this is done correctly.



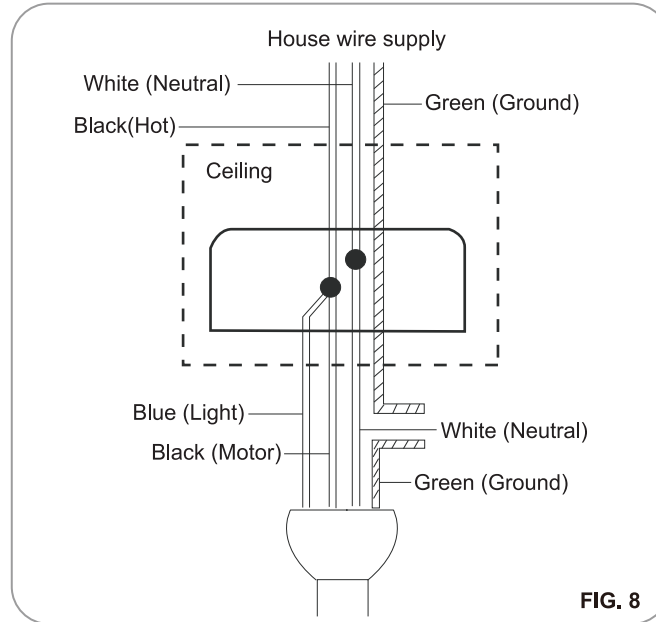
## Electrical connections

**REMEMBER** to shut the power off at the circuit breaker or fuse box.

Follow the steps below to connect the fan to your house supply wires. Use the wire nuts supplied with your fan. Secure the wire nuts by wrapping the connection with electrical tape.

Step 1. Connect the black (hot) wire from the ceiling to the black and the blue wires from the fan. Connect the white (Neutral) wire from the ceiling to the white wire from the fan. (Fig.8)

Step 2. If your outlet has a ground wire (Green or Bare Copper) connect the fan ground wires (from hanger ball and mounting bracket) to it; otherwise connect the fan ground wire wires from the hanger ball and mounting bracket together. (Fig. 8)



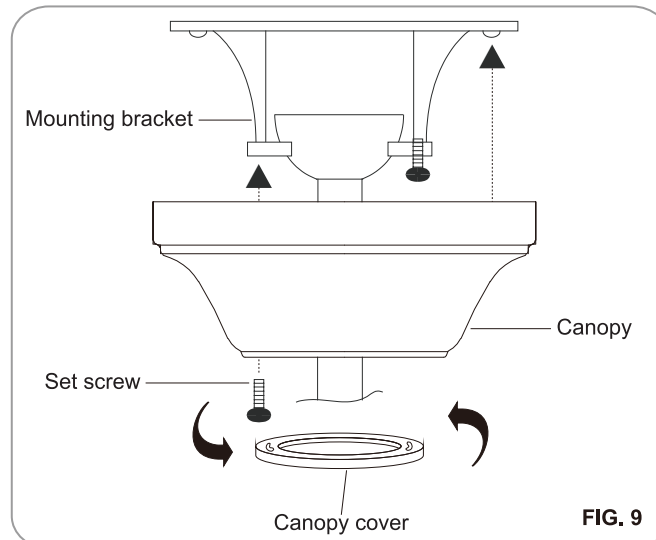
## Finishing the installation

Step 1. Remove one screw from the mounting bracket and loosen the other screw approximately 1/4 turn.

Step 2. Carefully raise the canopy up to the mounting bracket, and ensure the loosened screw is inserted into the key hole on the canopy. Rotate the canopy clockwise. (Fig. 9)

Step 3. Secure the canopy by replacing the screw previously removed and tightening the screw previously loosened. (Fig. 9)

Step 4. Place the canopy cover on the canopy, and rotate the canopy cover clockwise until it locks into position. (Fig. 9)

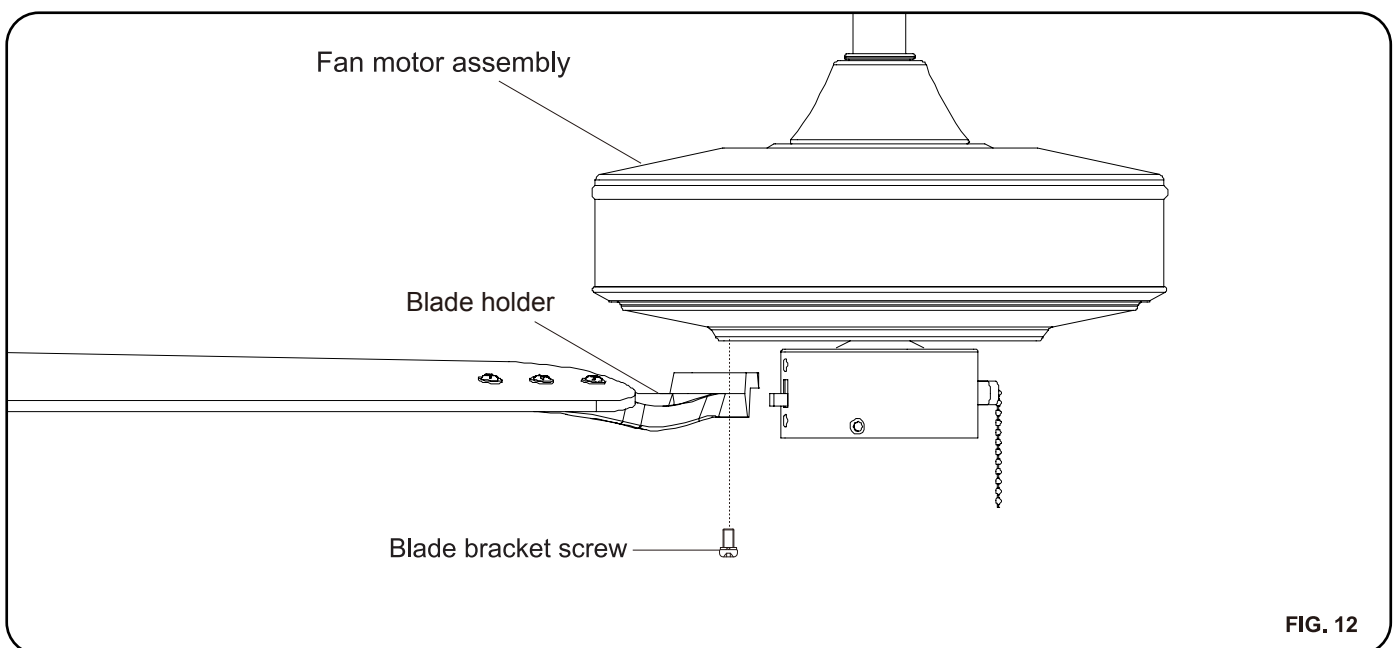
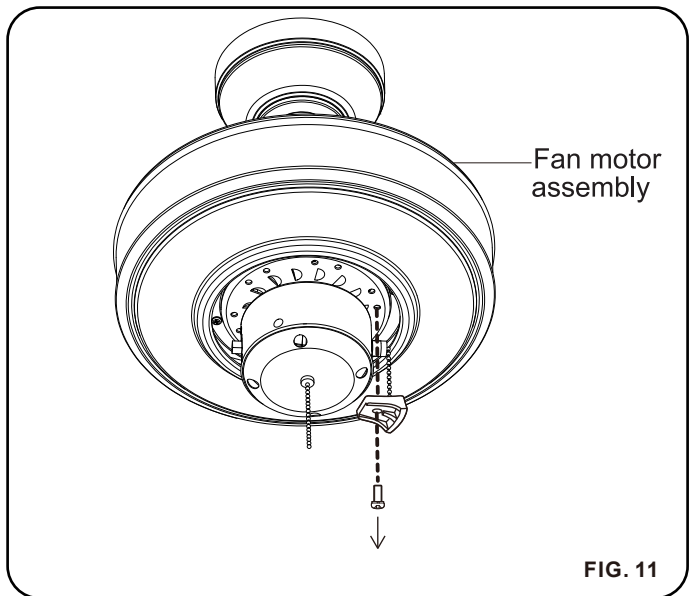
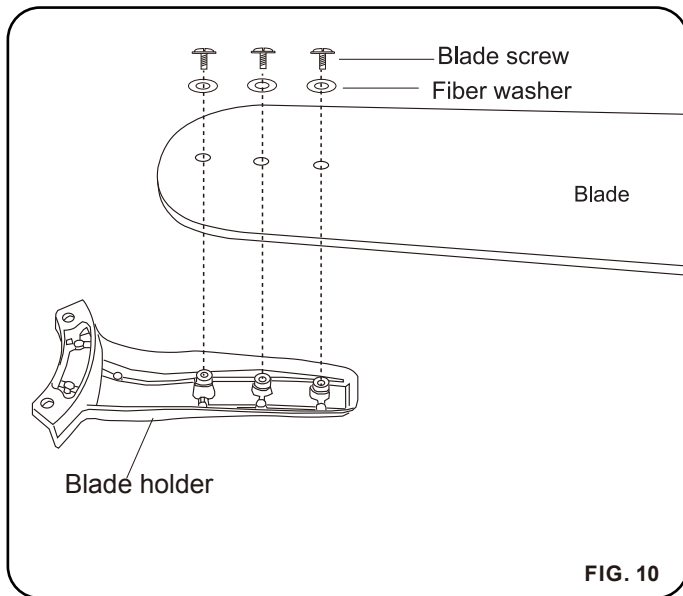


## Blade installation

Step 1. Attach the fan blades to the blade brackets by using three blade screws and fiber washers. Tighten screws and fiber washers securely.(Fig.10)

Step 2. Loosen the three screws and remove the three plastic blocks from the fan motor assembly before attaching the blade arm to the fan motor assembly. Discard the plastic blocks and the three screws. (Fig.11)

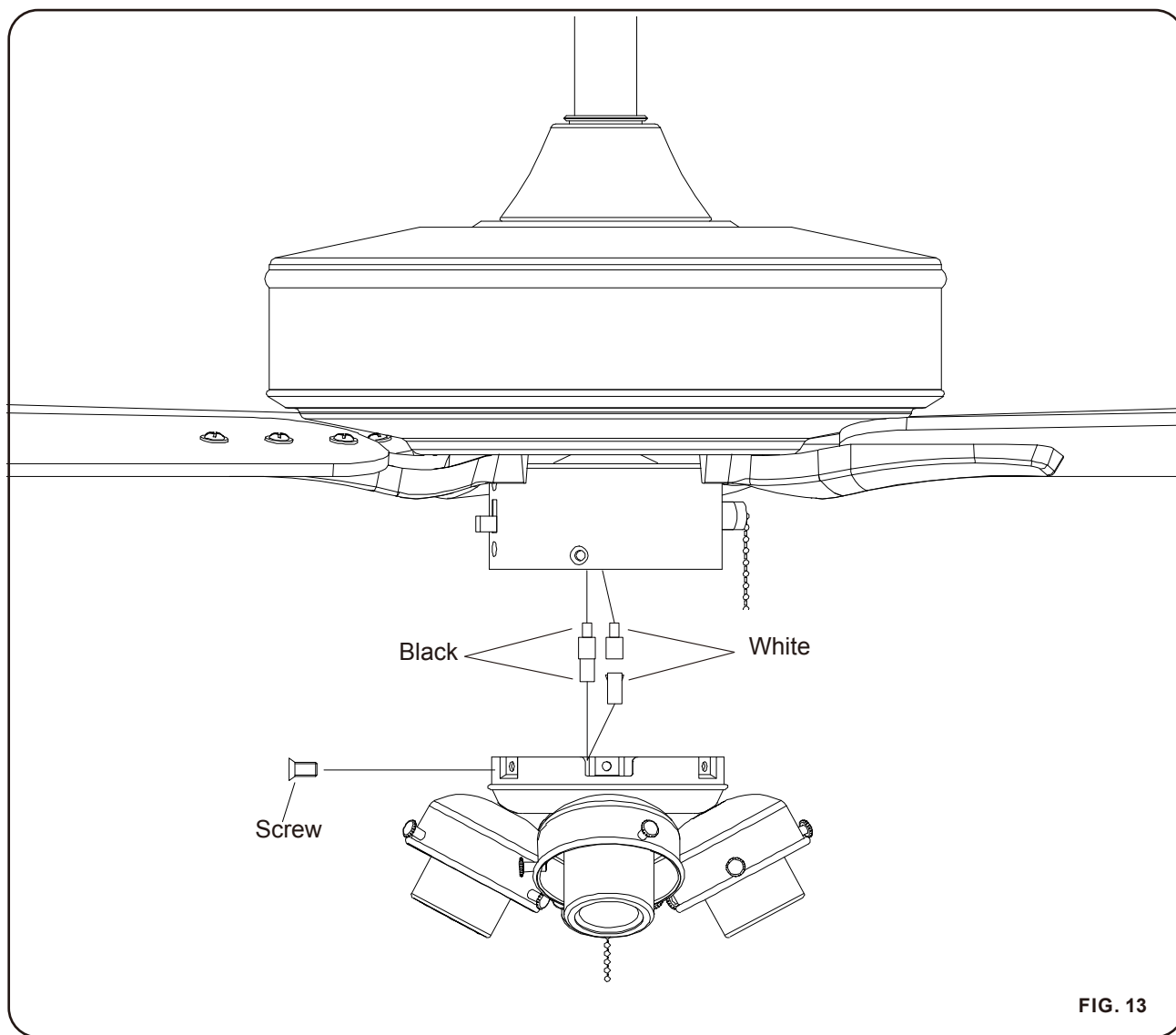
Step 3. Fasten the blade bracket to fan motor assembly by using the blade bracket screws. Tighten the screws securely, Repeat this procedure with the remaining blade assemblies. (Fig. 12)



## Installing the light kit assembly

Step1. Remove the three screws in the light kit. While holding the light kit assembly under your fan, snap together the wire connection plugs. (Fig.13)

Step2. Carefully push all wires back into the switch house, then install the light kit assembly onto the switch house with the three screws removed and securely tighten all screws.

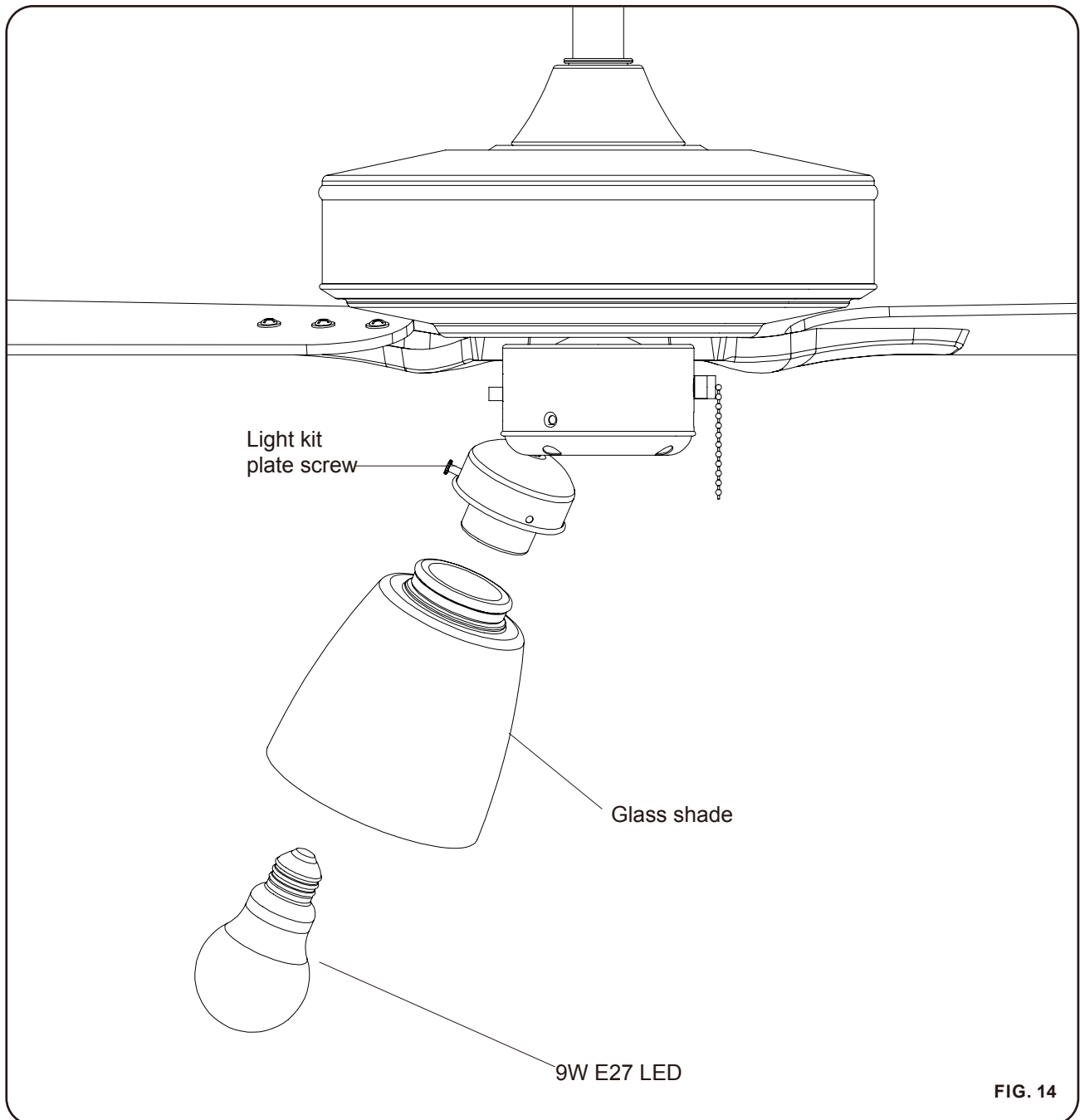


## Installing the glass shade & light bulb

**WARNING:** Shut of the power supply before removing or replacing lamp. If you accidentally come into contact, wipe thoroughly with a clean, lint-free, cotton cloth. Use light bulb in accordance with the fan's specification. TO REDUCE THE RISK OF FIRE DO NOT EXCEED MAXIMUM WATTAGE RATING.

Step 1. To install light kit glass shade, loosen the light kit screws and install the glass shade to the light kit. Secure by tightening the light kit screws previously loosened. (Fig.14)

Step 2. Install 4 \*9W E27 LED (included) into socket.





## Operation

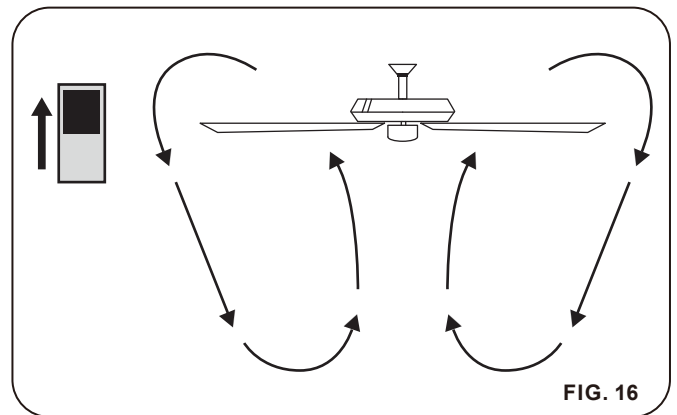
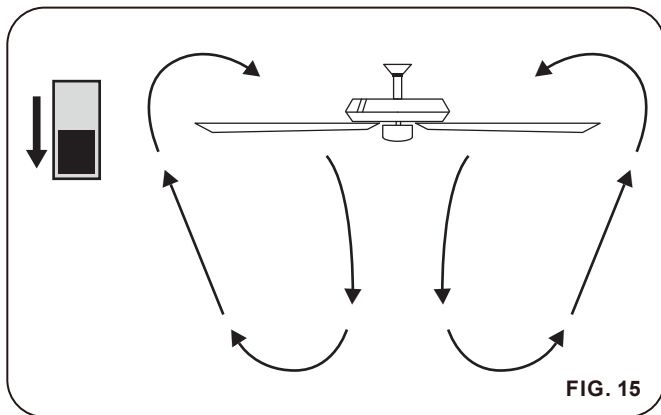
Turn on the power and check the operation of your fan. There are two pull chains available in your fan.  
3-speed Pull chain-it controls the fan speed as follows: 1 pull- High, 2 pulls- Medium, 3 pulls- Low, and 4 pulls- Off.  
Light kit pull chain-it controls the light kit in "ON" or "OFF"

The reverse switch is located on the surface of the switch housing. This switch controls directions: forward (switch down) or reverse (switch up).

**NOTE:** Wait for the fan to stop before reversing the direction of the blade rotation.

Warm weather - (Counterclockwise Direction) A downward air flow creates a cooling effect. This allows you to set your air conditioner on a higher setting without affecting your comfort. (Fig.15)

Cool weather - (Clockwise Direction) An upward air flow moves warm air off the ceiling. This allows you to set your heating unit on a lower setting without affecting your comfort. (Fig.16)



## Care and Cleaning

Check the support connections, brackets, and blade attachments twice a year. Ensure they are secure. Because of the fan's natural movement, some connections may become loose over time. It is not necessary to remove the fan from the ceiling.

Clean your fan periodically. Use only a soft brush or lint-free cloth to avoid scratching the finish. The plating is sealed with a lacquer to minimize discoloration or tarnishing.

(Optional) Apply a light coat of furniture polish to the wood blades.

(Optional) Cover small scratches with a light application of shoe polish.

Do not use water when cleaning. Water could damage the motor, or the wood, or possibly cause an electrical shock.

Do not apply oil to your fan or motor. The motor has permanently-lubricated sealed ball bearings.

## Troubleshooting

Problem	Solution
The fan will not start.	Check main and branch circuit fuses or breakers.
	Check line wire connections to the fan and switch wire connections in the switch housing.
The fan sounds noisy.	Make sure all motor housing screws are snug.
	Make sure the screws that attach the fan blade arm to the motor hub are tight.
	Make sure wire nut connections are not rattling against each other or the interior wall of the switch housing.
	Allow a 24-hour "breaking-in" period. Most noises associated with a new fan disappear during this time.
	If using the ceiling light kit, make sure the screws securing the glassware are tight. Check that the light bulb is also secure.
	Make sure there is a short distance from the ceiling to the canopy. It should not touch the ceiling.
The fan wobbles.	Make sure your ceiling box is secure and rubber isolator pads are used between the mounting bracket and outlet box.
	Check that all blade and blade arm screws are secure.
	Most fan wobble problems are caused when blade levels are unequal. Check this level by selecting a point on the ceiling above the tip of one of the blades. Measure from a point on the center of each blade to the point on the ceiling. Rotate the fan until the next blade is positioned for measurement. Repeat for each blade. Measurements deviation should be within 1/8 in. Run the fan for 10 minutes.
	Use the enclosed blade balancing kit if the blade wobble is still noticeable.



**Questions, problems, missing parts?** Before returning to your retailer, call our customer service department at **855-817-WIND (9463)**  
 8 a.m. - 5 p.m., EST, Monday-Friday  
[service@windriverus.com](mailto:service@windriverus.com)