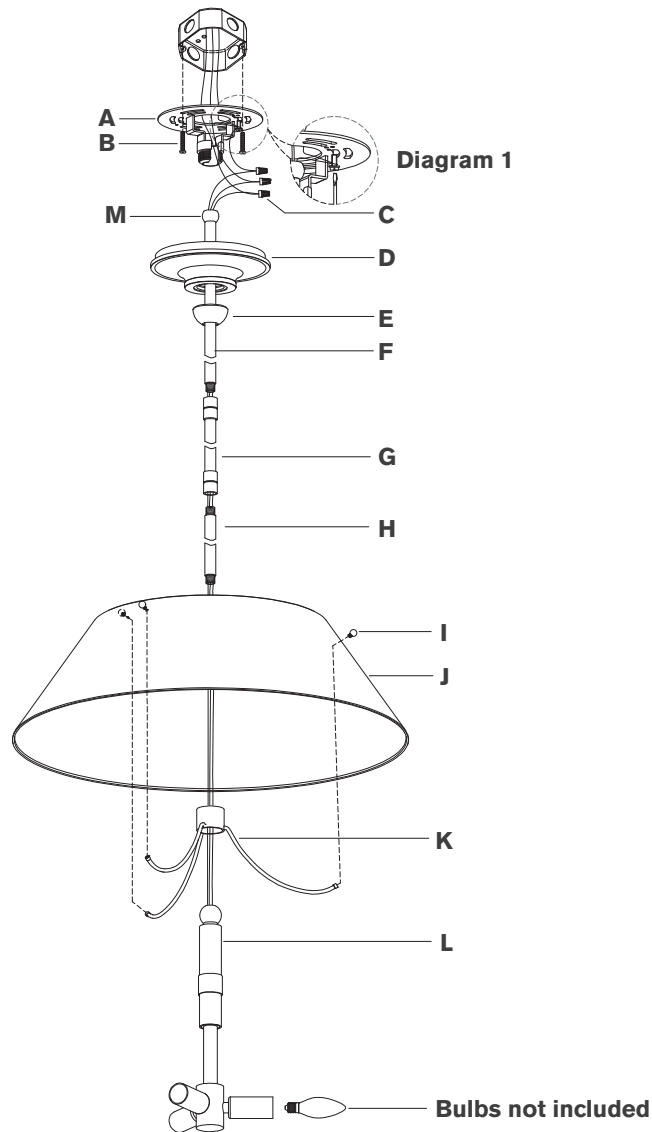




## ASSEMBLY INSTRUCTIONS



## Turlington Large Pendant

Item # TOB 5724

### NOTICE:

This light fixture should be installed in accordance with all applicable, local installation codes, and by a person familiar with the construction and operation of it, as well as the hazards involved. Inspect item and contents carefully. If any damage or defect is found, do not install. Retain all packaging material until installation is complete and approved.

12. Connect fixture neutral wire (white) to the supply neutral wire (usually white) using wire nut **(C)**.
  13. Connect fixture hot wire (black) to the supply hot wire (usually black) using wire nut **(C)**.
- CAUTION:** Do not reverse the hot and neutral connections.
14. Make sure all wire connections are tight, then carefully tuck into the junction box.
  15. Install canopy **(D)** to mounting plate **(A)** and secure with collar ring **(E)**.
  16. Install light bulb into the socket.

**Care Instructions:** Clean only with a soft dry cloth or feather duster. Do Not use abrasive or chemical agents.